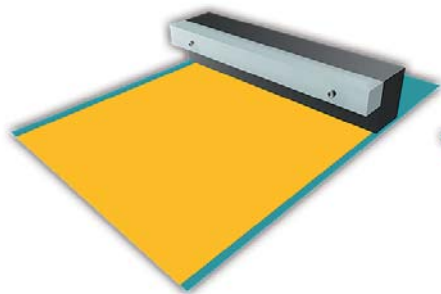


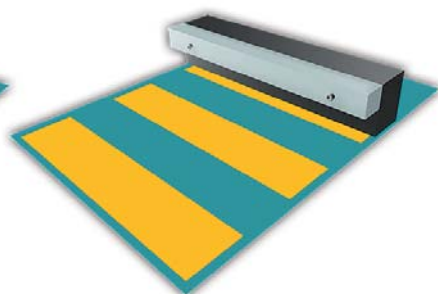


## Slot Die model SV

**FOR HOT MELT AND REACTIVE HOT MELT ADHESIVES  
CONTINUOUS AND INTERMITTENT APPLICATIONS**



**Continuous**



**Intermittent**

**HIP-MITSU** coating heads model **SV**, available width up to 1.000 mm, are designed for continuous and intermittent applications of hot melt and reactive hot melt adhesives.

**SV** guarantee in all conditions of use a clean cut-off at high operating speed.

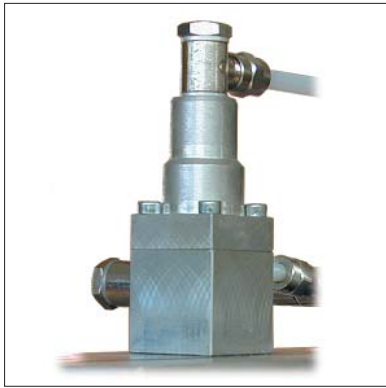
**SV** can also use adhesives with viscosity range from 300 up to 120.000 mpas.

The design of the coating head allows a wide range of applications.

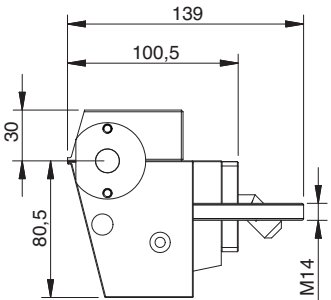
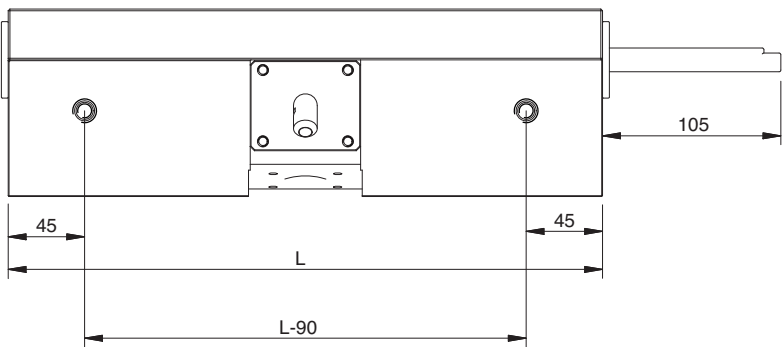
The temperature control is electronically managed.

Hardened materials allow applications in contact with the substrate also at high operating speeds.

The change of the coating width can be achieved manually or fully automatically during the process.



High-precision modules allow a clean cut-off



**TECHNICAL DATA**

MODEL	CONTROL VOLTAGE <sup>(4)</sup>	OPERATING VOLTAGE	AIR CONNECTION DIAM.	OPERATING PRESSURE	WIDTH (mm)	MAX WORKING TEMPERATURE	HEATING POWER
<b>SV</b>	24Vdc o 24Vac	220Vac	6/4 mm	6 bar	up to 1.000	240 °C	Depending on operating width

<sup>(4)</sup> If supplied by HIP-MITSU



*add value to your production*

**HEAD OFFICE**

I - 31027 SPRESIANO (TV) Italy - Via A. Volta, 1  
 Tel. + 39 0422 887.566 r.a. - Fax + 39 0422 887.337 - <http://www.hip-mitsu.com> e-mail: [info@hip-mitsu.com](mailto:info@hip-mitsu.com)